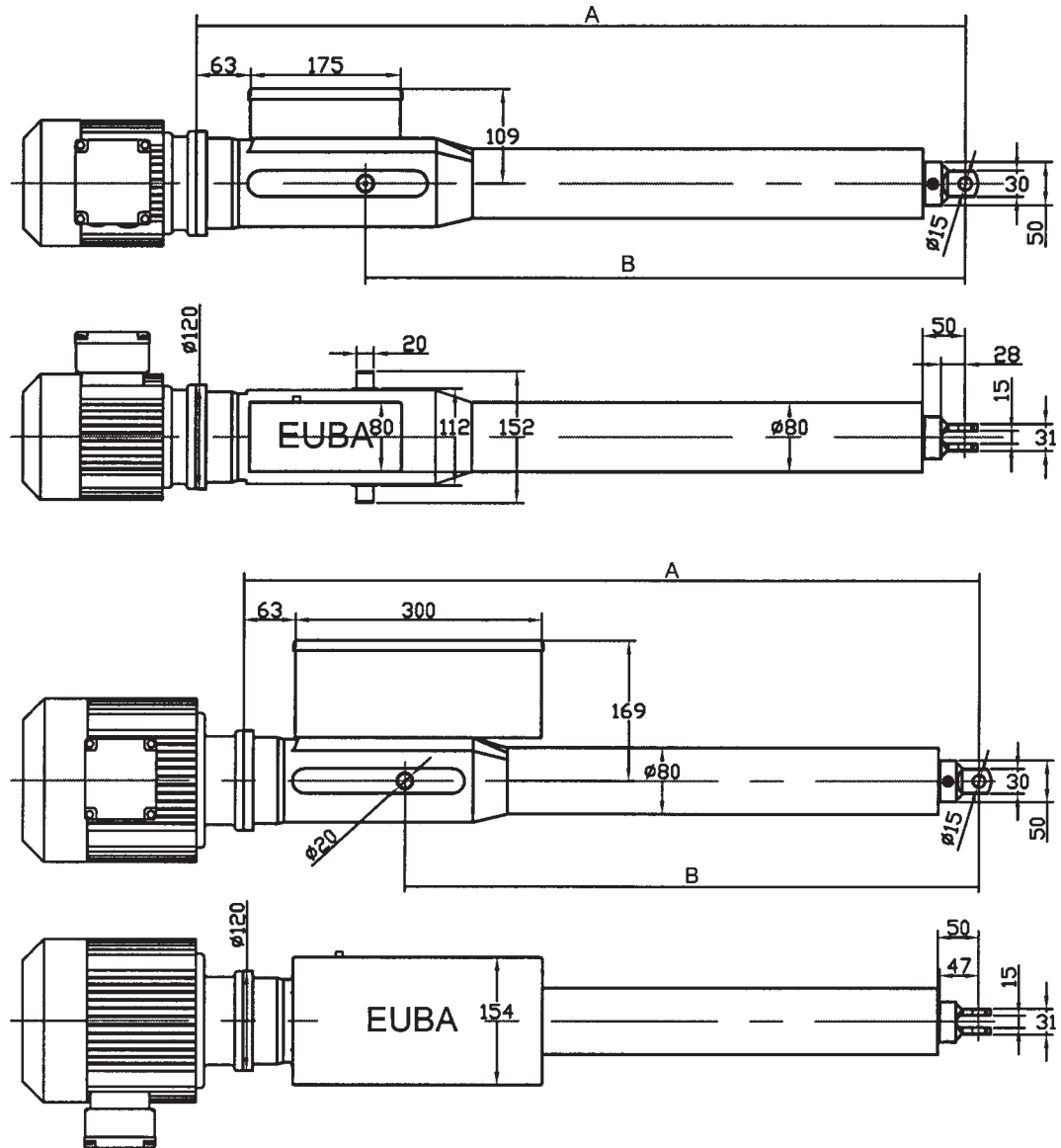


Type A4:



Mounting dimension actuator in mm (weight: 25-35 kg)

| stroke | 0 | 50 | 100 | 150 | 200 | 250 | 300 | 350 | 400 | 450 | 500 | 550 | 600 |
|---------------|-----|-----|-----|-----|-----|-----|-----|-----|-----|-----|-----|-----|-----|
| A-size | 397 | 447 | 497 | 547 | 597 | 647 | 697 | 747 | 797 | 847 | 897 | 947 | 997 |
| B-size | 206 | 256 | 306 | 356 | 406 | 456 | 506 | 576 | 626 | 676 | 726 | 776 | 826 |

Actuator dimensions can vary, especially the motor dimensions due to different brands.

B-size changeable (+/- 100 mm)

Motor dimensions depending on motor type and supplier

Power chart:

| P in kW in accordance with DIN IEC | | | | | | | |
|------------------------------------|-----|------|------|------|------|------|------|
| v in mm/s | | 5 | 25 | 45 | 63 | 70 | 94 |
| F in daN | 100 | 0,09 | 0,12 | 0,18 | 0,18 | 0,25 | 0,37 |
| | 200 | 0,09 | 0,18 | 0,37 | 0,37 | 0,55 | 0,55 |
| | 300 | 0,09 | 0,25 | 0,55 | 0,55 | 0,75 | 1,10 |
| | 400 | 0,09 | 0,37 | 0,55 | 0,75 | 1,10 | 1,10 |
| | 500 | 0,12 | 0,37 | 0,75 | 1,10 | 1,10 | 1,50 |

Forces in between min. and max. can be realised continuously.

Standard design:

- Pivot
- Clevis

Special design:

- Brackets
- Foot mounting
- Cardan joint
- Special fixing
- Shackle toggle joint
- Angle ball
- High temperature range up to +80°C
- Low temperature range down to -40°C
- Protection class up to IP-65

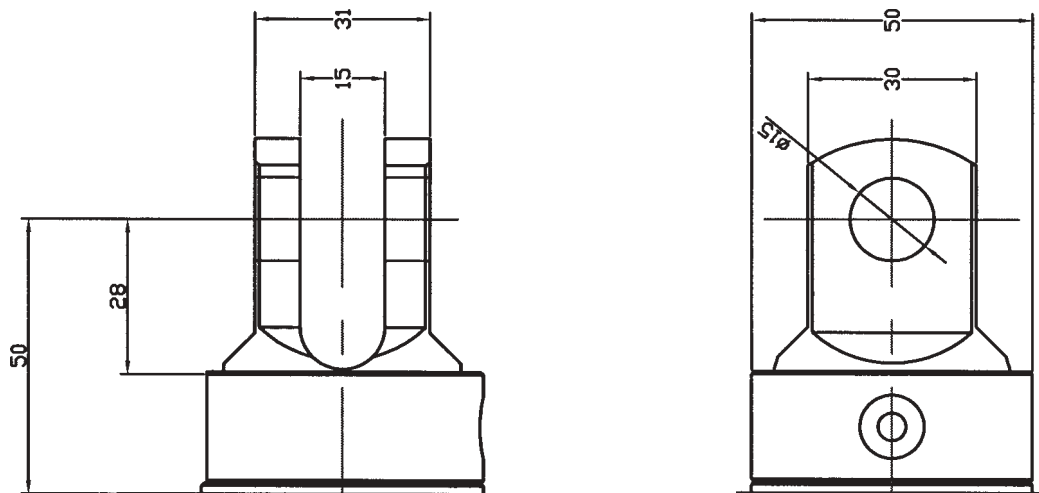
Actuator:

- Steel, with overload switches
- Acme screw thread spindle
- Spindle bearing system (overload protection unit), on both sides supported by spring piles
- Chrome plated push rod with internal torsion protection and scraper
- Temperature range from -10°C to +40°C

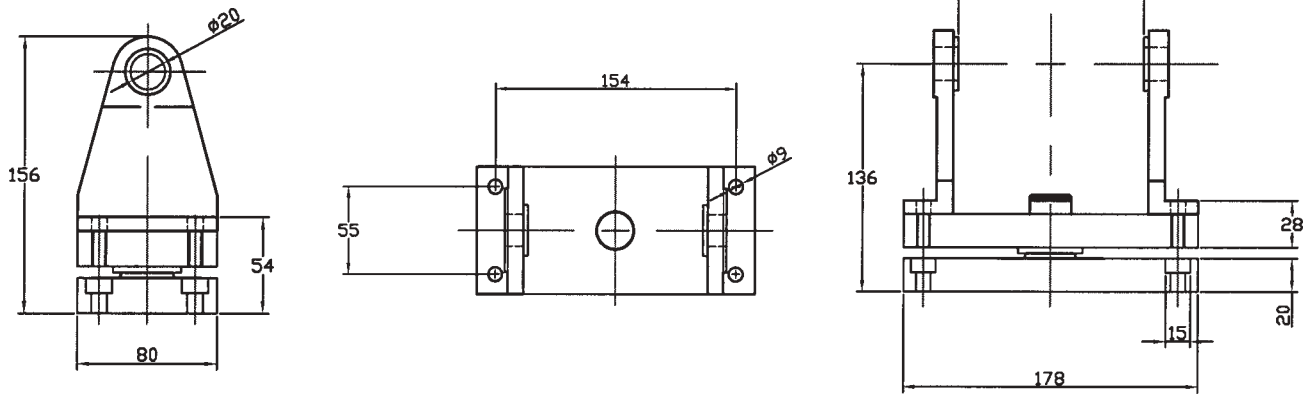
Motor:

Attachment of DIN IEC flange- and gear motors (manufacturer independent)

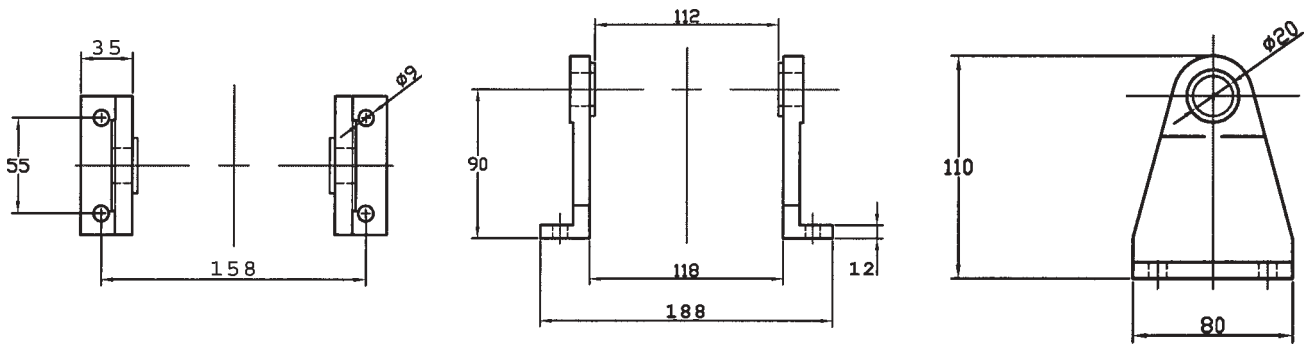
Clevis:



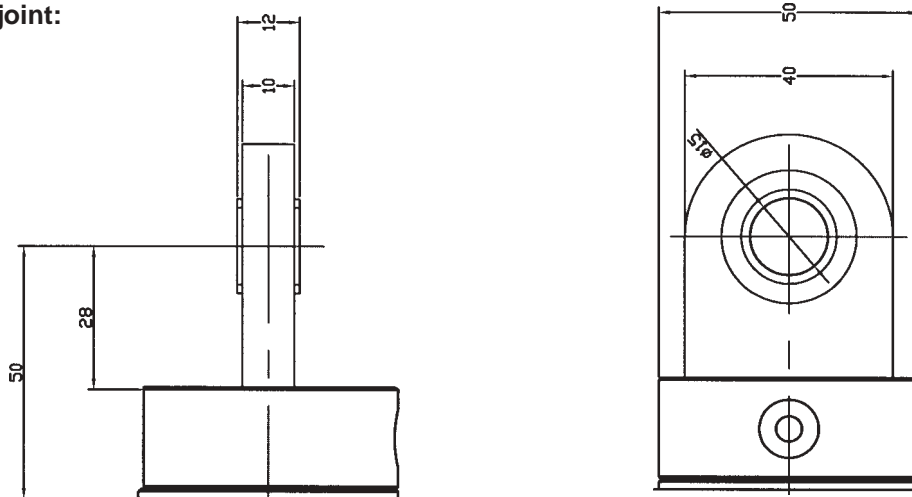
Cardan joint:



Brackets for pivot:



Shackle toggle joint:



Please use Fax request sheet on page 29 for a detailed technical layout.
 Minor changes in dimensions are possible due to production tolerances.