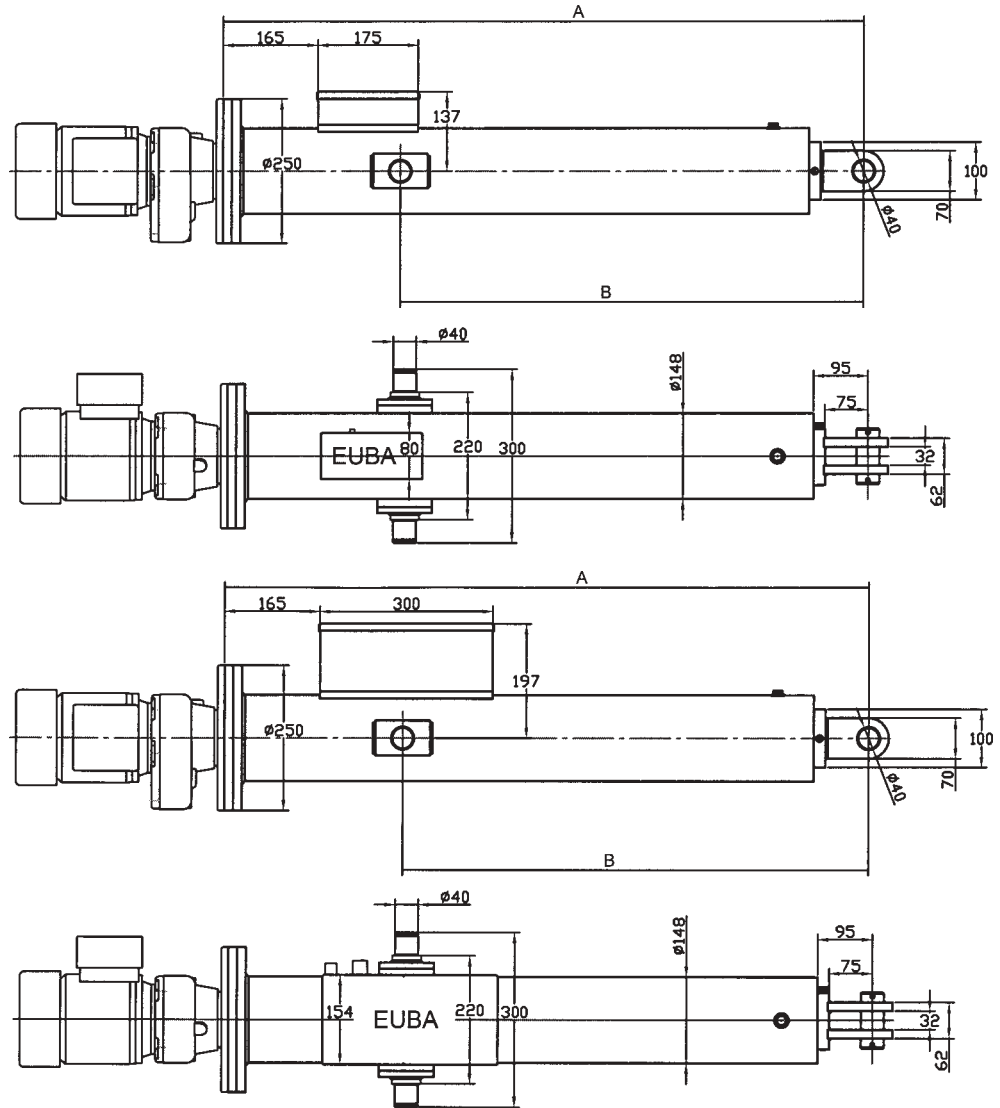


Type C4:



Mounting dimension actuator in mm (weight: 120-250 kg)																
stroke	0	50	100	150	200	250	300	350	400	450	500	550	600	650	700	750
A-size	618	668	718	768	818	868	918	968	1018	1068	1118	1168	1218	1268	1318	1368
B-size	180	230	280	330	380	430	500	550	600	650	700	750	800	850	900	950
stroke	800	850	900	950	1000	1050	1100	1150	1200	1250	1300	1350	1400	1450	1500	
A-size	1418	1468	1518	1568	1618	1668	1718	1768	1818	1868	1918	1968	2018	2068	2118	
B-size	1000	1050	1100	1150	1200	1250	1300	1350	1400	1450	1500	1550	1600	1650	1700	

Actuator dimensions can vary, especially the motor dimensions due to different brands.

B-size changeable (+/- 100 mm)

Motor dimensions depending on motor type and supplier

Power chart:

P in kW in accordance with DIN IEC								
v in mm/s		5	15	25	35	45	111	166
F in daN	1500	0,25	0,75	1,10	2,20	2,20	5,50	7,50
	2000	0,37	1,10	1,50	2,20	3,00	-	-
	2500	0,55	1,50	2,20	3,00	4,00	-	-
	3000	0,55	1,50	3,00	4,00	4,00	-	-
	4000	0,75	2,20	3,00	5,50	5,50	-	-
	5000	0,75	3,00	4,00	5,50	7,50	-	-

Forces in between min. and max. can be realised continuously.

Standard design:

- Pivot
- Clevis

Special design:

- Brackets
- Foot mounting
- Cardan joint
- Special fixing
- Shackle toggle joint
- Angle ball
- High temperature range up to +80°C
- Low temperature range down to -40°C
- Protection class up to IP-65

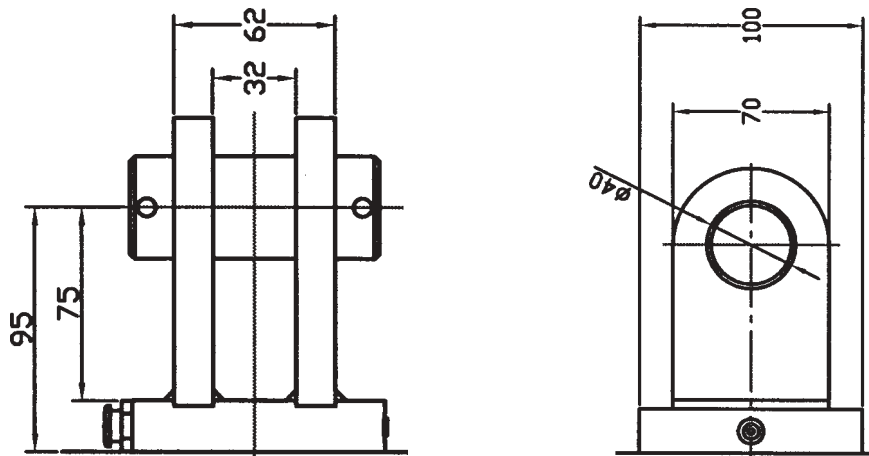
Actuator:

- Steel, with overload switches
- Acme screw thread spindle
- Spindle bearing system (overload protection unit), on both sides supported by spring piles
- Chrome plated push rod with internal torsion protection and scraper
- Temperature range from -10°C to +40°C

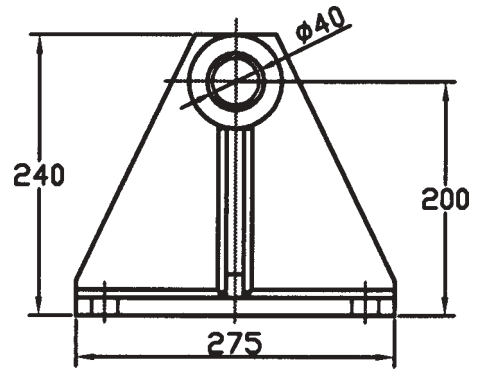
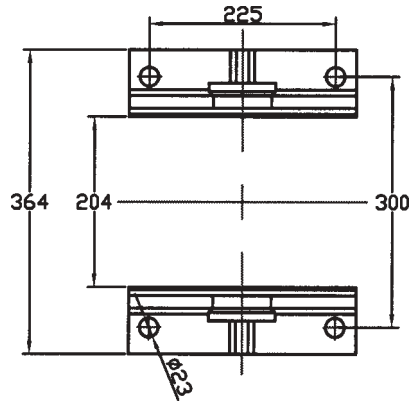
Motor:

Attachment of DIN IEC flange- and gear motors (manufacturer independent)

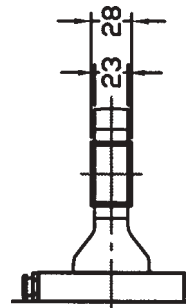
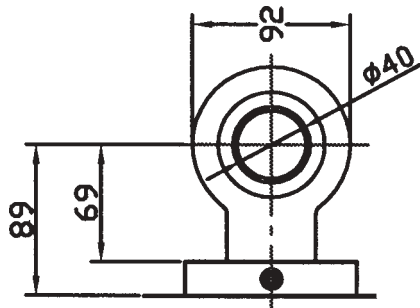
Clevis:



Brackets for pivot:



Shackle toggle joint:



Please use Fax request sheet on page 29 for a detailed technical layout.
Minor changes in dimensions are possible due to production tolerances.