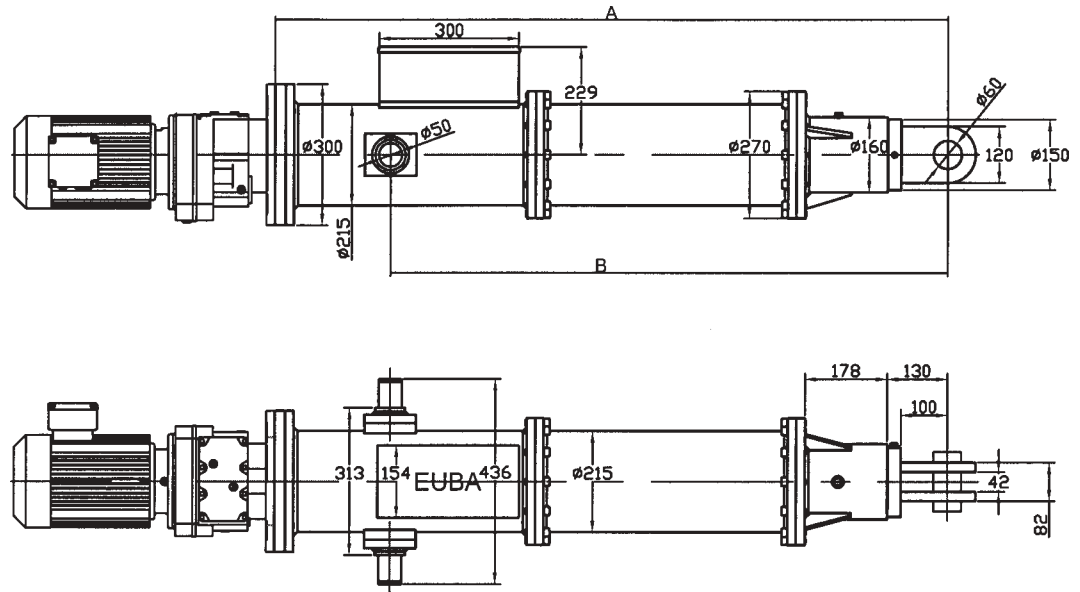


## Type D4:



Mounting dimension actuator in mm (weight: 150-400 kg)																
stroke	0	50	100	150	200	250	300	350	400	450	500	550	600	650	700	750
<b>A-size</b>	988	1038	1088	1138	1188	1238	1288	1338	1388	1438	1488	1538	1588	1638	1688	1738
<b>B-size</b>	699	749	799	849	899	949	999	1049	1099	1149	1199	1249	1299	1349	1399	1449
<b>stroke</b>	800	850	900	950	1000	1100	1200	1300	1400	1500	1600	1700	1800	1900	2000	
<b>A-size</b>	1788	1838	1888	1938	1988	2088	2188	2288	2388	2488	2588	2688	2788	2888	2988	
<b>B-size</b>	1499	1549	1599	1649	1699	1799	1899	1999	2099	2199	2299	2399	2499	2599	2699	

Actuator dimensions can vary, especially the motor dimensions due to different brands.

B-size changeable (+/- 100 mm)

Motor dimensions depending on motor type and supplier

**Power chart:**

P in kW in accordance with DIN IEC								
v in mm/s		5	15	25	35	40	50	60
F in daN	4000	0,75	2,20	4,00	5,50	7,50	7,50	9,20
	6000	1,10	4,00	5,50	7,50	9,20	11,00	15,00
	8000	1,50	5,50	7,50	11,00	15,00	15,00	18,50
	10000	2,20	5,50	9,20	15,00	15,00	18,50	22,00
	12500	2,20	7,50	11,00	18,50	18,50	22,00	30,00
	15000	3,00	9,20	15,00	18,50	22,00	30,00	-

Forces in between min. and max. can be realised continuously.

**Standard design:**

- Pivot
- Clevis

**Special design:**

- Brackets
- Foot mounting
- Cardan joint
- Special fixing
- Shackle toggle joint
- Angle ball
- High temperature range up to +80°C
- Low temperature range down to -40°C
- Protection class up to IP-65

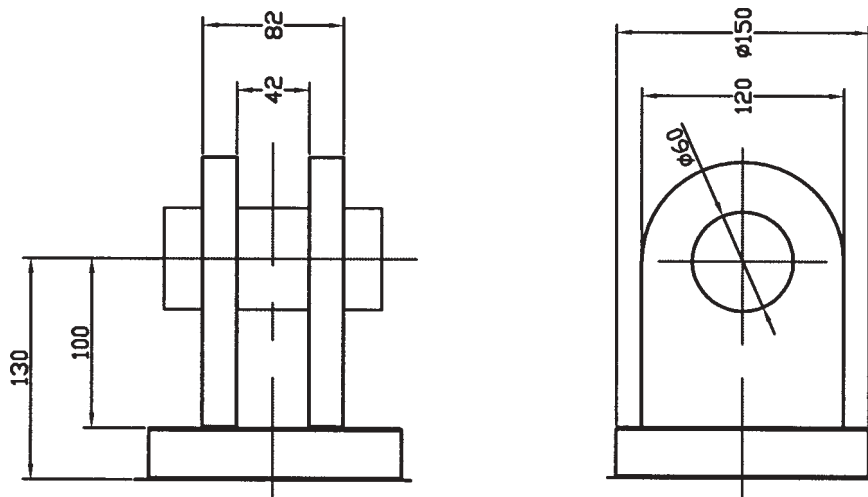
**Actuator:**

- Steel, with overload switches
- Acme screw thread spindle
- Spindle bearing system (overload protection unit), on both sides supported by spring piles
- Chrome plated push rod with internal torsion protection and scraper
- Temperature range from -10°C to +40°C

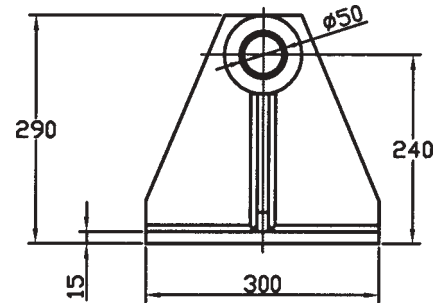
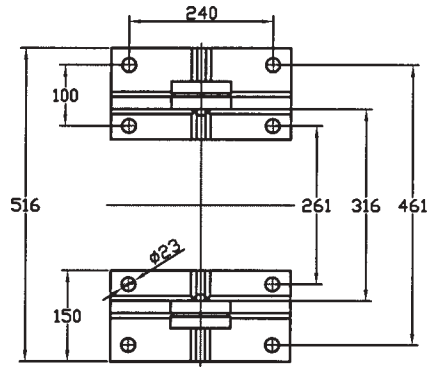
**Motor:**

Attachment of DIN IEC flange- and gear motors (manufacturer independent)

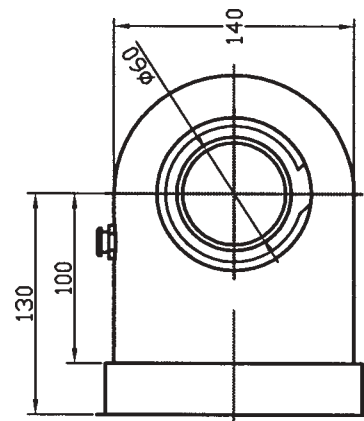
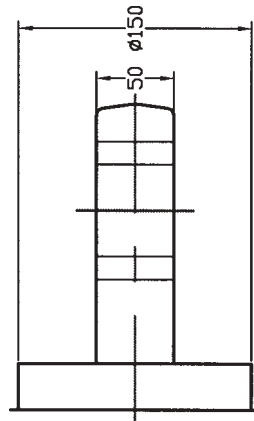
**Clevis:**



**Brackets for pivot:**



**Shackle toggle joint:**



Please use Fax request sheet on page 29 for a detailed technical layout.  
Minor changes in dimensions are possible due to production tolerances.